
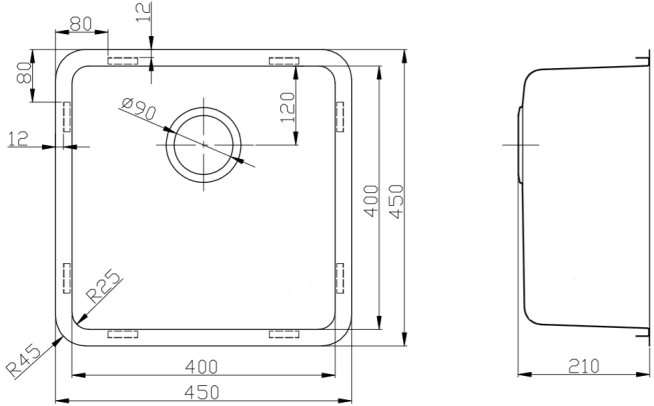


## Hue Undermount or Overmount Single Bowl Sink

Product Image	Technical Specification
	

Description	
Hue Undermount or Overmount Single Bowl Sink 450x450mm	
<b>YS6016</b>	Satin SS

Attributes
<ul style="list-style-type: none"> <li>• For Inset, Undermount and Flushmount installation</li> <li>• SUS304 Stainless Steel</li> <li>• Basket waste included</li> <li>• Satin finish</li> <li>• No tap hole</li> <li>• Suggested cut-out size:                          Undermount : 400 x 400 mm                          Overmount : 434 x 434 mm                     </li> </ul>

\*All dimensions are in millimeters and are subject to normal manufacturing variations. Actual dimensions should be checked prior to installation. Yushi pursues a policy of continuing improvement in design and performance of its products. The right is therefore reserved to vary specifications without notice.