
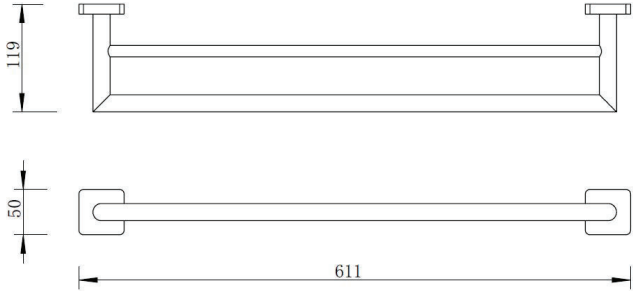


Crave Towel Rail

Product Image	Technical Specification
	

Description	
Crave Double Towel Rail 600mm Chrome	
<b>YS1210</b>	Chrome

Attributes
<ul style="list-style-type: none"> <li>• Soft square wall plates</li> <li>• Made from top quality brass</li> <li>• Flawless chrome finish</li> <li>• Five year warranty</li> <li>• Suitable to be installed in all plastered and tiled bathrooms</li> </ul>

\*All dimensions are in millimeters and are subject to normal manufacturing variations. Actual dimensions should be checked prior to installation. Yushi pursues a policy of continuing improvement in design and performance of its products. The right is therefore reserved to vary specifications without notice.