
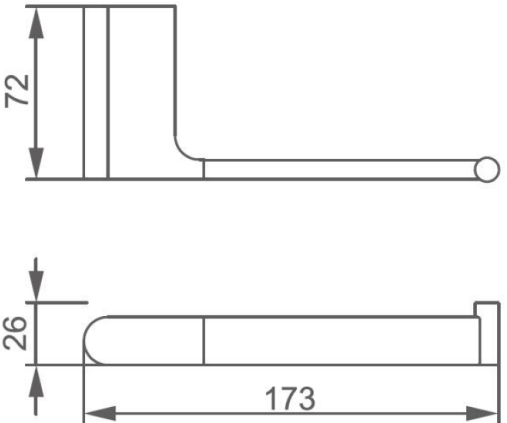


## Sync Toilet Roll Holder

Product Image	Technical Specification
	

Description	
Sync Toilet Roll Holder	
<b>YS1125</b>	Chrome
<b>YS11251</b>	Matte Black
<b>YS11252</b>	Brushed Nickel

Attributes
<ul style="list-style-type: none"> <li>• Made from top quality brass</li> </ul>
<ul style="list-style-type: none"> <li>• Warranty : 7/1 years</li> </ul>

\*All dimensions are in millimeters and are subject to normal manufacturing variations. Actual dimensions should be checked prior to installation. Yushi pursues a policy of continuing improvement in design and performance of its products. The right is therefore reserved to vary specifications without notice.