
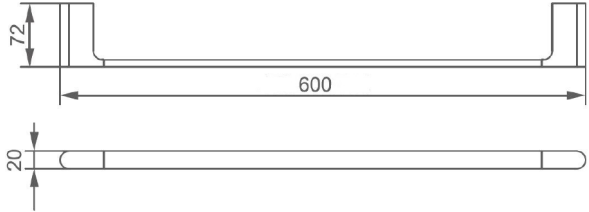


Sync Single Towel Rail 600mm

Product Image	Technical Specification
	

Description	Attributes						
<p>Sync Single Towel Rail 600mm</p> <table border="0"> <tr> <td>YS1105</td> <td>Chrome</td> </tr> <tr> <td>YS11051</td> <td>Matte Black</td> </tr> <tr> <td>YS11052</td> <td>Brushed Nickel</td> </tr> </table>	YS1105	Chrome	YS11051	Matte Black	YS11052	Brushed Nickel	<ul style="list-style-type: none"> • Made from top quality brass • Warranty : 7/1 years
YS1105	Chrome						
YS11051	Matte Black						
YS11052	Brushed Nickel						

*All dimensions are in millimeters and are subject to normal manufacturing variations. Actual dimensions should be checked prior to installation. Yushi pursues a policy of continuing improvement in design and performance of its products. The right is therefore reserved to vary specifications without notice.