
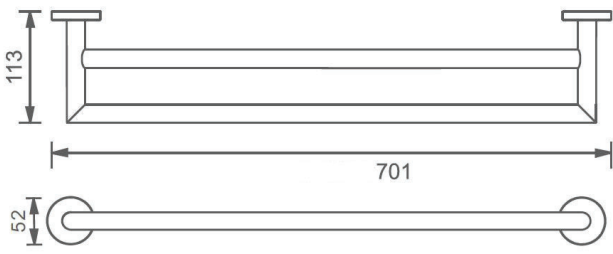


Hue Towel Rail

Product Image	Technical Specification
	

Description	
Hue Double Towel Rail 700mm Chrome	
YS1020	Chrome

Attributes
<ul style="list-style-type: none"> • Round wall plates • Made from top quality brass • Flawless chrome finish • Five year warranty • Suitable to be installed in all plastered and tiled bathrooms

*All dimensions are in millimeters and are subject to normal manufacturing variations. Actual dimensions should be checked prior to installation. Yushi pursues a policy of continuing improvement in design and performance of its products. The right is therefore reserved to vary specifications without notice.