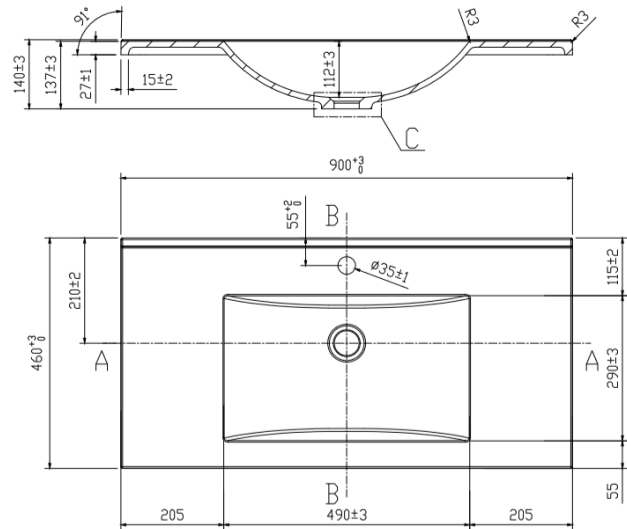


## Polymarble Top 900mm

### Technical Specification



\*1 Tap hole pictured



\*1 Tap hole pictured

### Description

Polymarble Top Only to Suit 900mm Neko Vanity 3TH

**NV212213**

White

### Attributes

- 27mm thickness
- Gloss White Finish
- Require 32mm waste (not included)
- No overflow

\*All dimensions are in millimeters and are subject to normal manufacturing variations. Actual dimensions should be checked prior to installation. Neko pursues a policy of continuing improvement in design and performance of its products. The right is therefore reserved to vary specifications without notice.