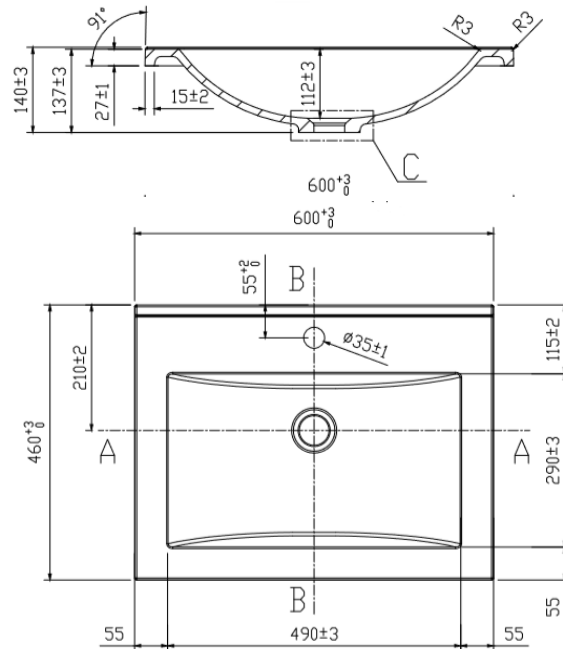


## Polymarble Top 600mm

### Technical Specification



\*Tap not included



### Description

Polymarble Top Only to Suit 600mm Neko Vanity 1TH

**NV212200**

White

### Attributes

- 27mm thickness
- Gloss White Finish
- Require 32mm waste (not included)
- No overflow

\*All dimensions are in millimeters and are subject to normal manufacturing variations. Actual dimensions should be checked prior to installation. Neko pursues a policy of continuing improvement in design and performance of its products. The right is therefore reserved to vary specifications without notice.