
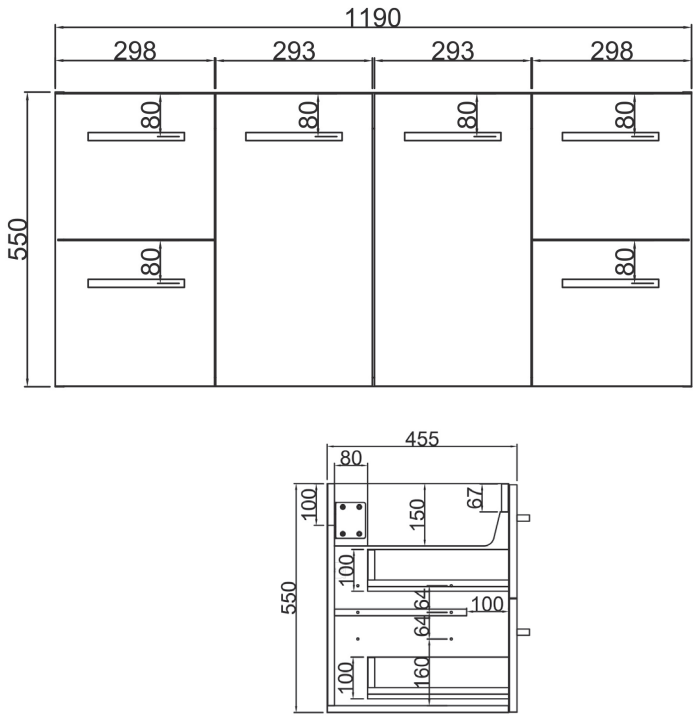


Locus 1200mm Vanity

Product Image	Technical Specification
	 <p>The technical drawing includes a top view showing a total width of 1190mm, divided into four sections of 298mm, 293mm, 293mm, and 298mm. Each section contains a horizontal line representing a handle, with a height of 80mm. The overall height is 550mm. A side view shows a depth of 455mm, with a top thickness of 80mm, a main cabinet height of 100mm, and a base height of 100mm. Internal dimensions include 150mm for the upper section and 160mm for the lower section, with a 67mm offset for the top edge and a 64mm offset for the base edge.</p>

Description	
<p>Locus Wall Hung Vanity Cabinet Only 1200mm 2-Centre Door 2x2- Drawers</p>	
NV203075	Gloss White

Attributes
<ul style="list-style-type: none"> • C/P Flat D-Handles • Soft Close Drawers & Doors • Solid Back Panel • Gloss Paint Finish • Requires 40mm P&W • Fit with: • Neko Ceramic Top (w/overflow) • Neko Polymarble Top (no overflow) • Neko Quartz top + U/M basin(w/overflow)

*All dimensions are in millimeters and are subject to normal manufacturing variations. Actual dimensions should be checked prior to installation. Neko pursues a policy of continuing improvement in design and performance of its products. The right is therefore reserved to vary specifications without notice.