
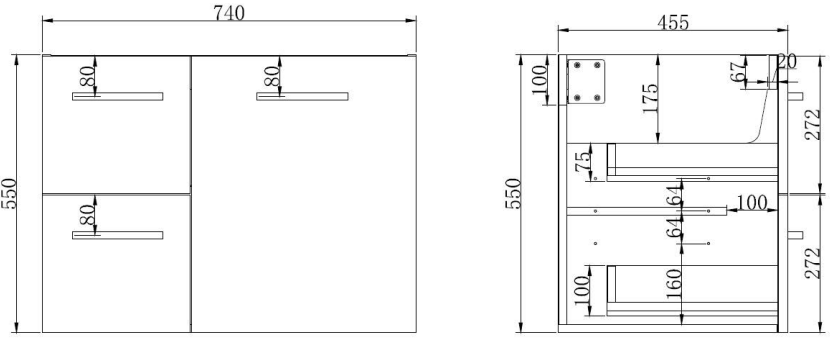


## Locus 750mm Vanity

Product Image	Technical Specification
	 <p>The technical drawings provide the following dimensions:</p> <ul style="list-style-type: none"> <li><b>Front View:</b> Total width is 740mm. The cabinet has two drawers on the left, each 80mm wide, and a door on the right, also 80mm wide.</li> <li><b>Side View:</b> Total height is 550mm. The top section is 100mm high. The main cabinet body is 272mm high. The door is 20mm thick. The top panel is 455mm wide. The distance from the top edge to the start of the cabinet body is 175mm. The distance from the top edge to the start of the drawers is 75mm. The distance from the top edge to the start of the door is 100mm. The distance from the top edge to the start of the bottom panel is 160mm. The distance from the top edge to the start of the bottom panel is 64mm. The distance from the top edge to the start of the bottom panel is 64mm. The distance from the top edge to the start of the bottom panel is 100mm.</li> </ul>

Description	Attributes
<p>Locus Wall Hung Vanity Cabinet Only 750mm 1-Door 2-L/H Drawers</p> <p><b>NV203050</b>                      Gloss White</p>	<ul style="list-style-type: none"> <li>• C/P Flat D-Handles</li> <li>• Soft Close Drawers &amp; Door</li> <li>• Solid Back Panel</li> <li>• Gloss Paint Finish</li> <li>• Requires 40mm P&amp;W</li> <li>• Fit with:</li> <li>• Neko Ceramic Top (w/overflow)</li> <li>• Neko Polymarble Top (no overflow)</li> <li>• Neko Quartz top + U/M basin(w/overflow)</li> </ul>

\*All dimensions are in millimeters and are subject to normal manufacturing variations. Actual dimensions should be checked prior to installation. Neko pursues a policy of continuing improvement in design and performance of its products. The right is therefore reserved to vary specifications without notice.