
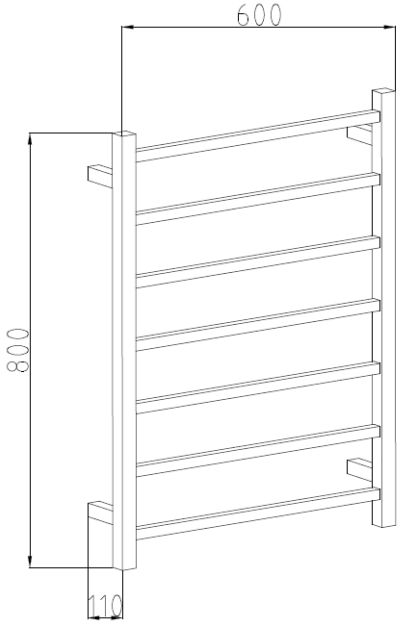


Cue Heated Towel Rail

| Product Image | Technical Specification |
|--|---|
|  |  |

| Description | |
|---|------------------------|
| <p>Cue Heated Towel Rail 800x600x110mm Square Polished S/Steel R/H Power Outlet</p> | |
| <p>NA103025</p> | <p>Stainless Steel</p> |

| Attributes |
|--|
| <ul style="list-style-type: none"> • Premium grade 304 Stainless Steel • Innovative led light Switch - On/Off • Hard wiring or easy plug-in • Power wattage: 75W • Power voltage: 240V • Warranty: 7/1 years |

*All dimensions are in millimeters and are subject to normal manufacturing variations. Actual dimensions should be checked prior to installation. Neko pursues a policy of continuing improvement in design and performance of its products. The right is therefore reserved to vary specifications without notice.